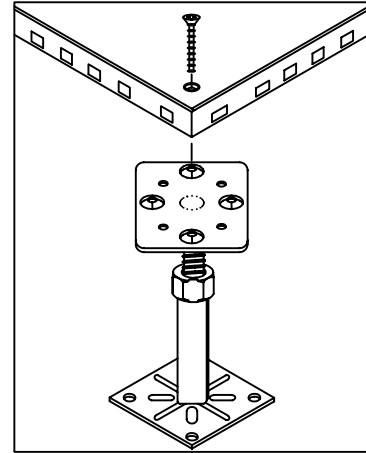
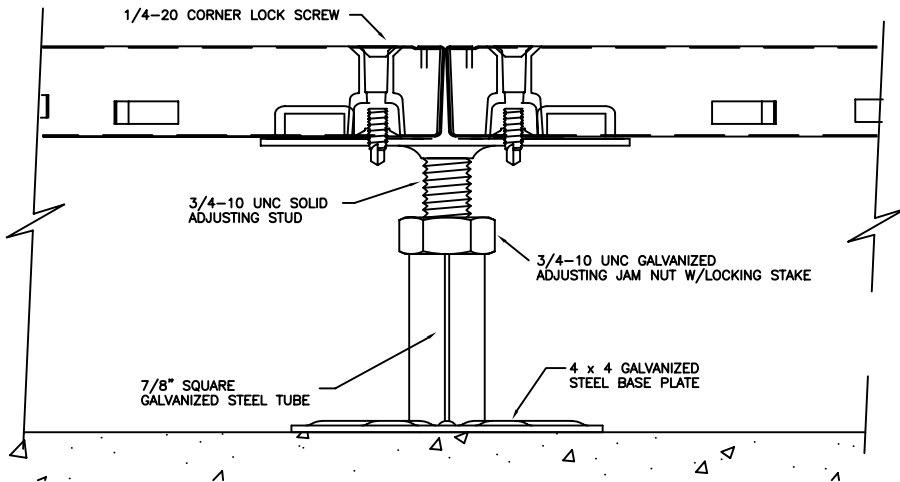


Detail Drawing

TecCreate Corner-lock Panels on Stringerless Understructure



Standard Configuration

Bare corner-lock panel and pedestal up to 23" Finished Floor Height (FFH) without stringers. Recommended for most general office applications with typical FFH's of 6" - 8".

Panel Finish Options:
Bare Corner-lock

Underfloor options:

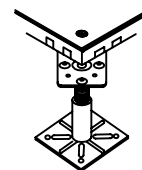
Various pedestal/stringer configurations with finished floor heights from 3" to 91".

Cable cutouts and grommets.

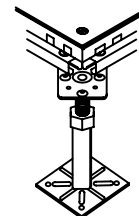
Grilles and air diffusers.

Seismic pedestals.

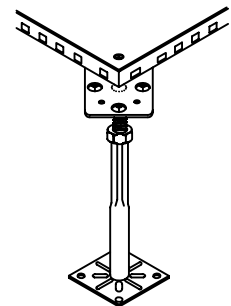
Other Pedestal Options



TecCreate Corner-lock Low Height



Corner-lock on stringers



TecCreate Corner-lock (Seismic)