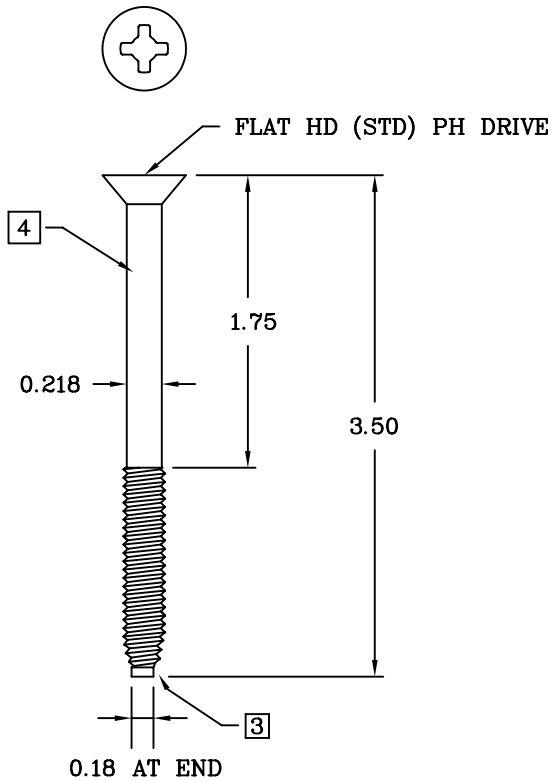


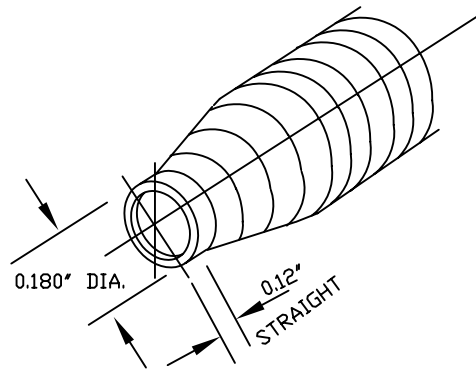
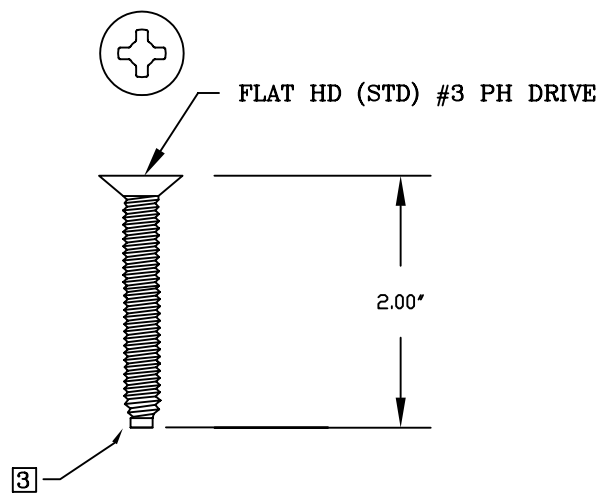
Corner-lock screw for TecCrete 2000 panels with edge supporting stringers

Corner-lock screw for edge supporting stringers or TecCrete 1250 panels with stringerless understructure.

1/4-20 X 3.50"



1/4-20 X 2.00"



NOTES:

- 1.) MATERIAL: STEEL SCREW STOCK
- 2.) FINISH: BLACK OXIDE
- 3.] POINT TYPE: DOG RH THREAD
- 4.] NO THREADS IN THIS AREA
- 5.] 1018 - 1022 STEEL CASE HARDEN