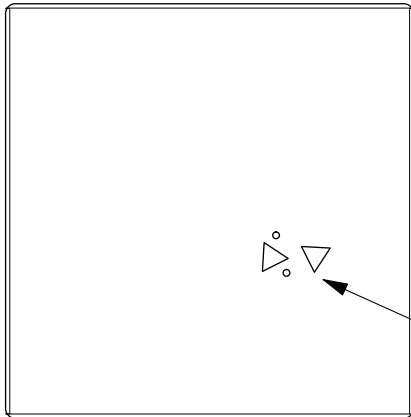
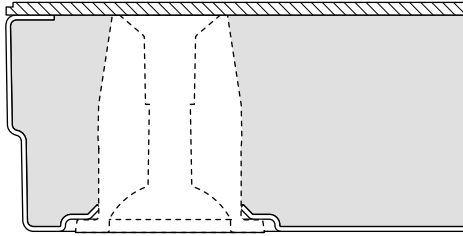
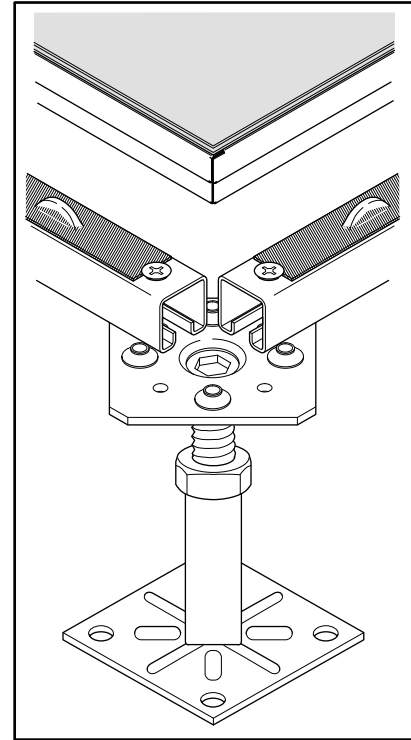


Corner Section

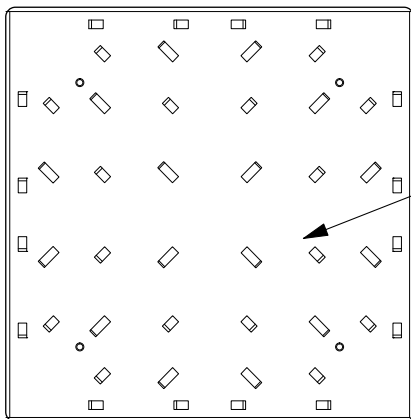


Laminate Cover  
Lightweight High-  
strength Concrete

Top View



Typical Laminated TecCrete  
Stringer Supported Configuration



Galvanized  
Steel

Bottom View